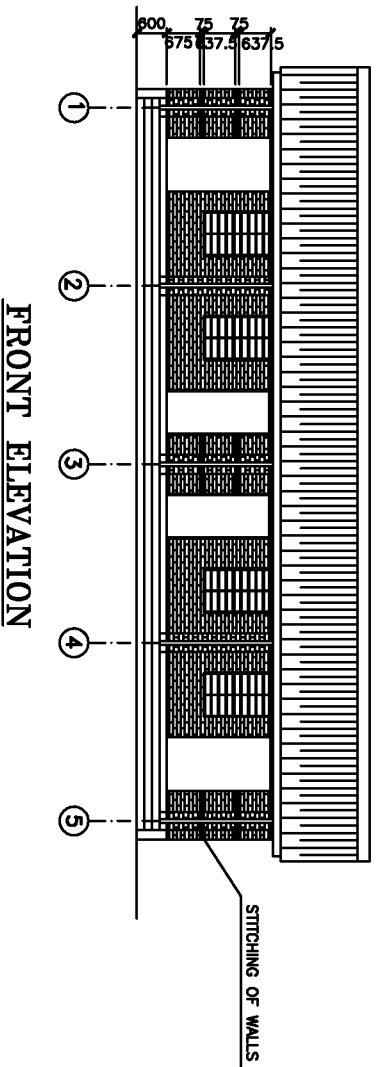


PLAN



FRONT ELEVATION

NOTE:  
 1. 12 mm DIA STEEL BARS ARE TO BE KEPT AT EVERY PLACES AS SHOWN IN THE DRAWING.  
 2. ON THE OUTER PART OF THE BUILDING GEMENT PLASTER (1:4) IS APPLIED FROM GROUND LEVEL TO PLINTH LEVEL INCLUDING ON STEPS.  
 3. DOORS ARE TO BE KEPT OPEN WHILE CONDUCTING THE CLASSES.

JOB TITLE

SCHOOL BUILDING  
 (TERAI REGION)

SHEET TITLE

PLAN & ELEVATION

SCALE  
 0 0.5 1.0 2.0 3.0m

BASIC AND PRIMARY  
 EDUCATION PROGRAMME (II)

GOVERNMENT OF NEPAL

MINISTRY OF EDUCATION & SPORTS  
 DEPARTMENT OF EDUCATION

SANOJHMI  
 BHAKTAPUR  
 NEPAL

TEL NO. 977-1-631075  
 977-1-633027  
 FAX NO. 977-1-630088

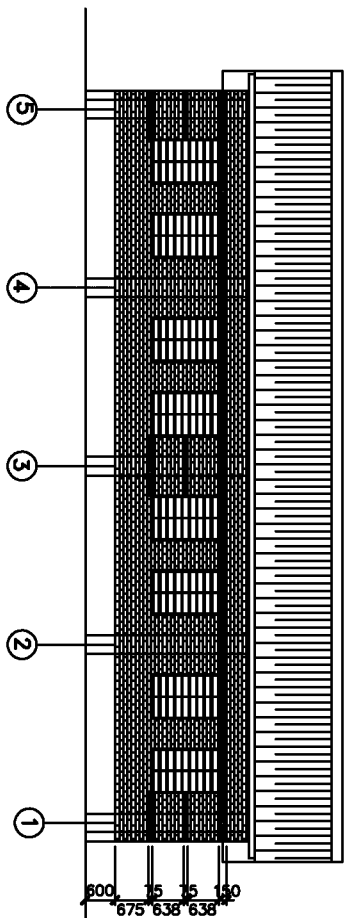
CHECKED BY

APPROVED BY:

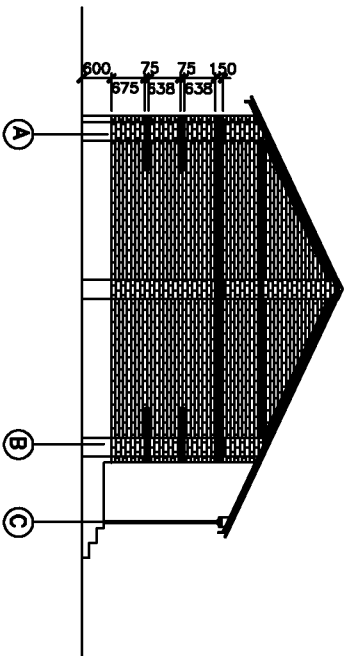
DATE 23.10.2000

Drawing code T-B-Alt 1

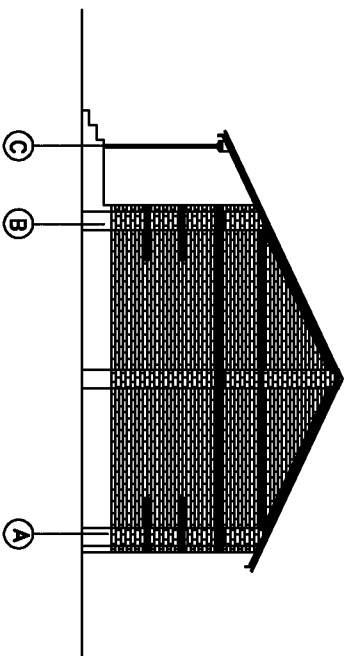
Sheet no 1



**BACK ELEVATION**

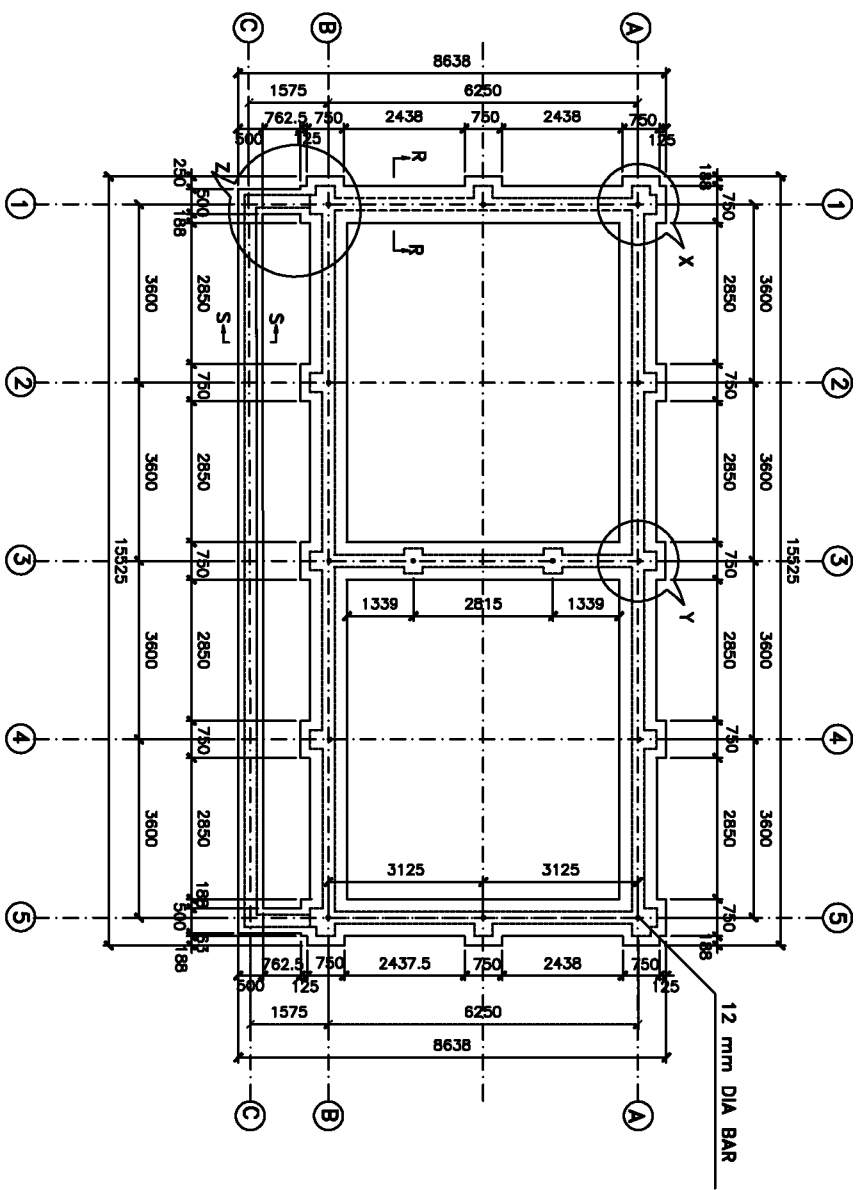


**SIDE ELEVATION**



**SIDE ELEVATION**

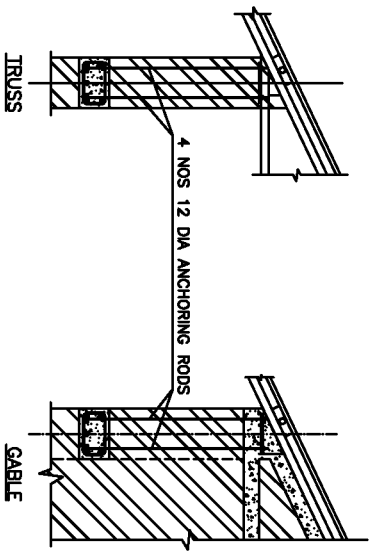
<b>JOB TITLE</b>	
<b>SCHOOL BUILDING (TERAI REGION)</b>	
<b>SHEET TITLE</b>	
<b>BACK &amp; SIDE ELEVATIONS</b>	
<b>SCALE</b>	0 0.5 1.0 2.0 3.0m
<b>BASIC AND PRIMARY EDUCATION PROGRAMME (II)</b>	
<b>GOVERNMENT OF NEPAL</b>	
<b>MINISTRY OF EDUCATION &amp; SPORTS</b>	
<b>DEPARTMENT OF EDUCATION</b>	
<b>SANOTHMI</b>	
<b>BHAKTAPUR</b>	
<b>NEPAL</b>	
<b>TEL NO.</b>	977-1-631075
	977-1-633027
<b>FAX NO.</b>	977-1-630088
<b>CHECKED BY</b>	
<b>APPROVED BY:</b>	
<b>DATE</b>	23.10.2000
<b>Drawing code</b>	T-B-Alt 1
<b>Sheet no</b>	2



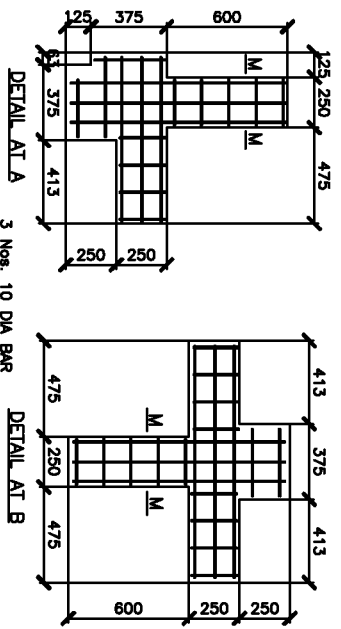
**TRENCH PLAN**

JOB TITLE		<b>SCHOOL BUILDING (TERAI REGION)</b>	
SHEET TITLE		<b>TRENCH PLAN</b>	
SCALE			
BASIC AND PRIMARY EDUCATION PROGRAMME (II)		GOVERNMENT OF NEPAL MINISTRY OF EDUCATION & SPORTS DEPARTMENT OF EDUCATION SANOTHI BHAKTAPUR NEPAL. TEL NO. 977-1-631075 977-1-633027 FAX NO. 977-1-630088	
CHECKED BY			
APPROVED BY:			
DATE	23.10.2000		
Drawing code	T-B-Alt 1		
DWG. NO:	3		

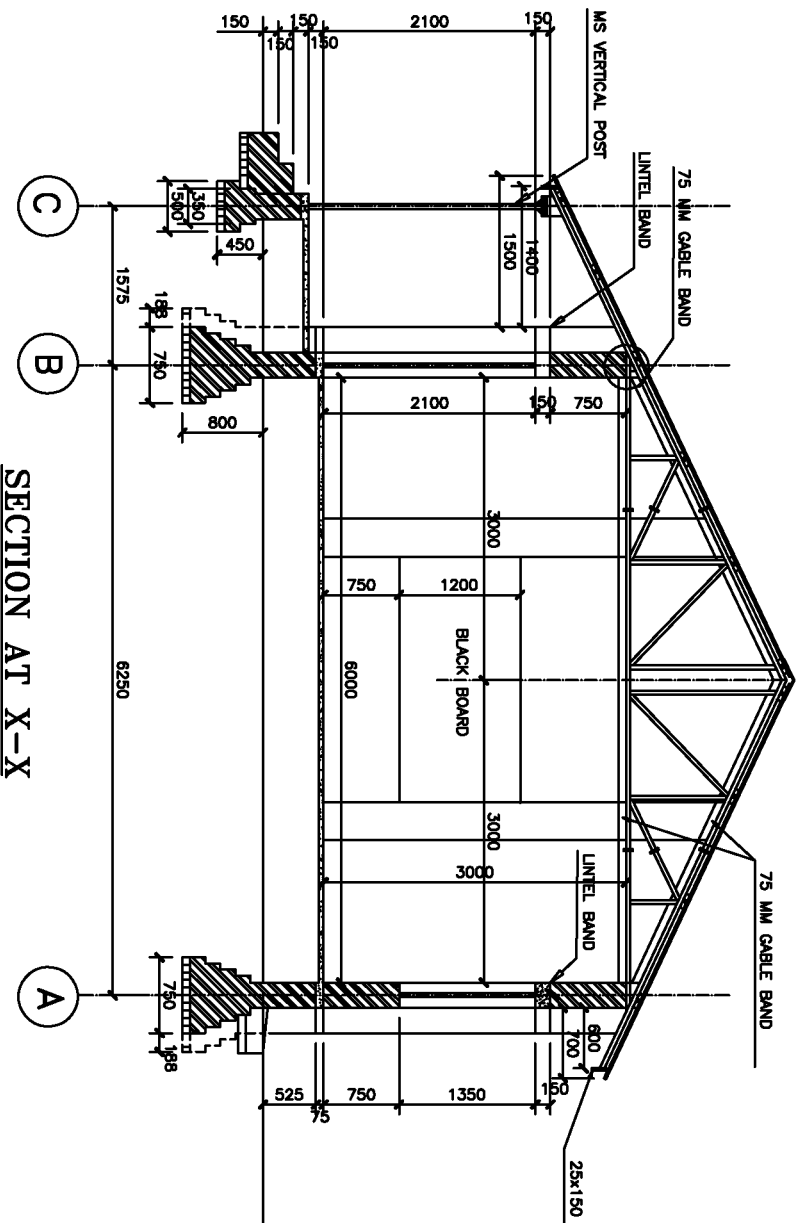
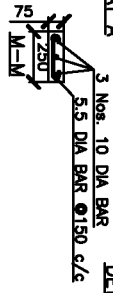
CONNECTION OF TRUSS/GABLE WITH LINTEL BAND



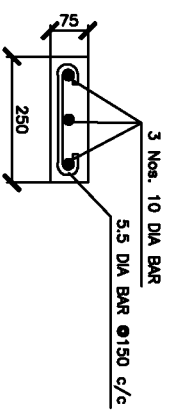
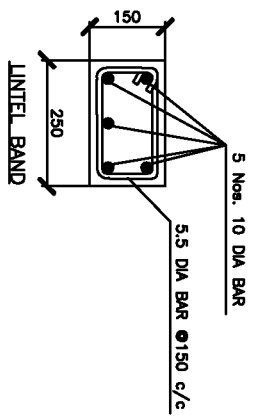
STITCHING OF WALLS



NOTE:  
LONGITUDINAL BARS ARE OF 10 DIA  
STRIRUPS ARE OF 5.5 DIA

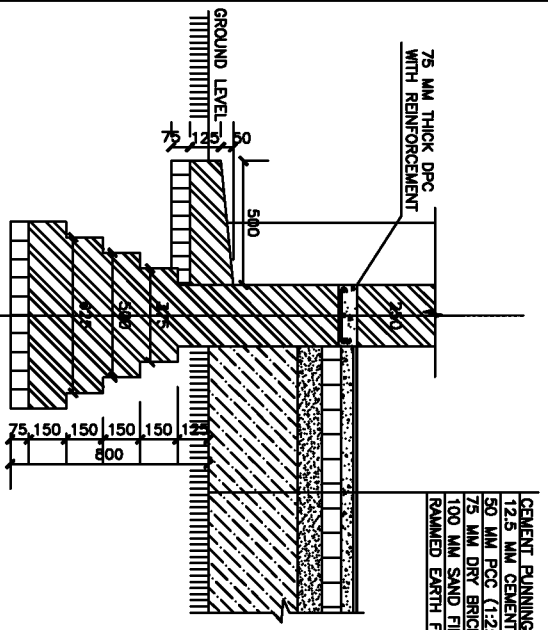


SECTION AT X-X

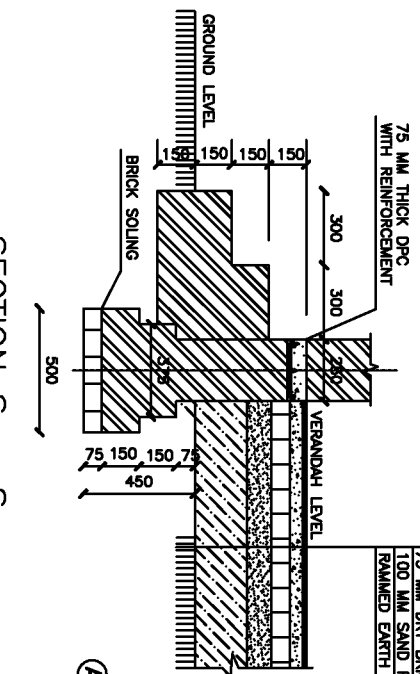


NOTE:  
1. 75 mm THICK GABLE BAND IS IMMEDIATELY BELOW THE GABLE RAFTER AND HORIZONTAL GABLE BAND IS 75 mm BELOW THE TRUSS LEVEL.

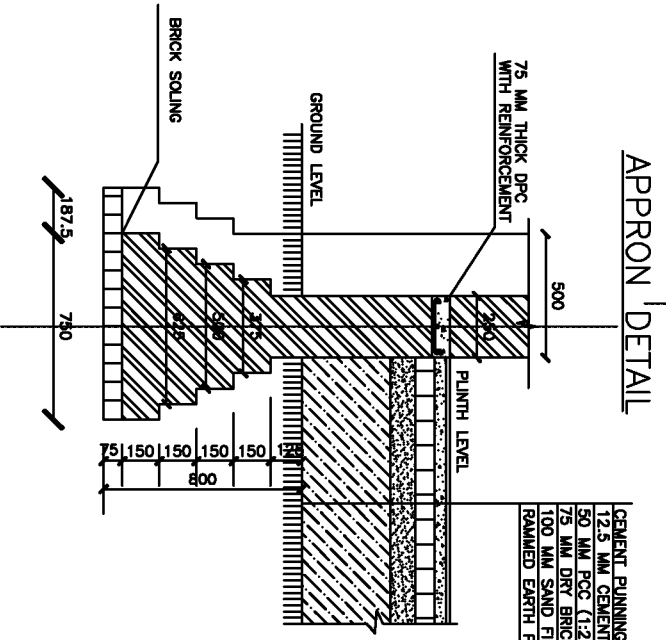
JOB TITLE		SCHOOL BUILDING RESOURCE CENTRE (TERAI REGION)	
SHEET TITLE			
SECTION			
SCALE	1:50, 1:20		
BASIC AND PRIMARY EDUCATION PROGRAMME (II)			
GOVERNMENT OF NEPAL MINISTRY OF EDUCATION & SPORTS DEPARTMENT OF EDUCATION SANOPTIMI BHAKTAPUR NEPAL TEL. NO. 977-1-631075 977-1-633027 FAX NO. 977-1-630088			
CHECKED BY			
APPROVED BY			
DATE	23.10.2000		
Drawing code	T-B-Alt 1		
Sheet no	4		



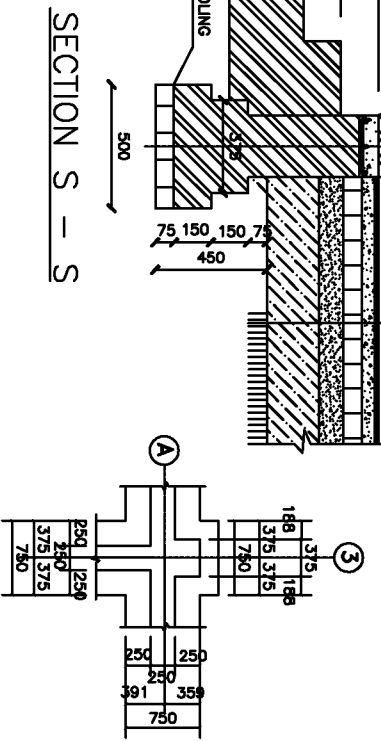
- CEMENT PLUNING
- 12.5 MM CEMENT SAND PLASTER (1:6)
- 50 MM PCC (1:2:4)
- 75 MM DRY BRICK SOLING
- 100 MM SAND FILLING
- RAMMED EARTH FILLING



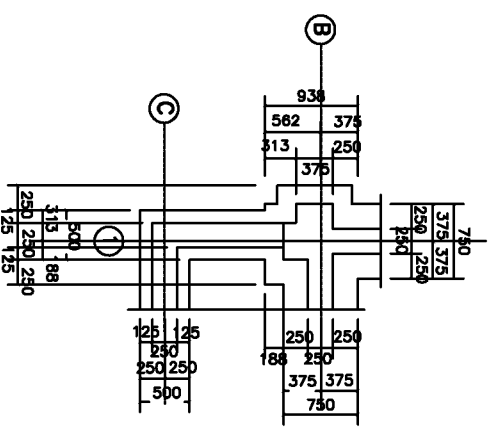
- CEMENT PLUNING
- 12.5 MM CEMENT SAND PLASTER (1:6)
- 50 MM PCC (1:2:4)
- 75 MM DRY BRICK SOLING
- 100 MM SAND FILLING
- RAMMED EARTH FILLING



- CEMENT PLUNING
- 12.5 MM CEMENT SAND PLASTER (1:6)
- 50 MM PCC (1:2:4)
- 75 MM DRY BRICK SOLING
- 100 MM SAND FILLING
- RAMMED EARTH FILLING



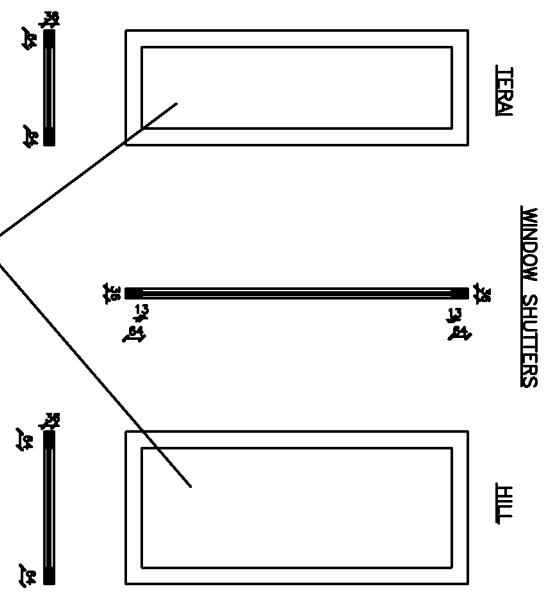
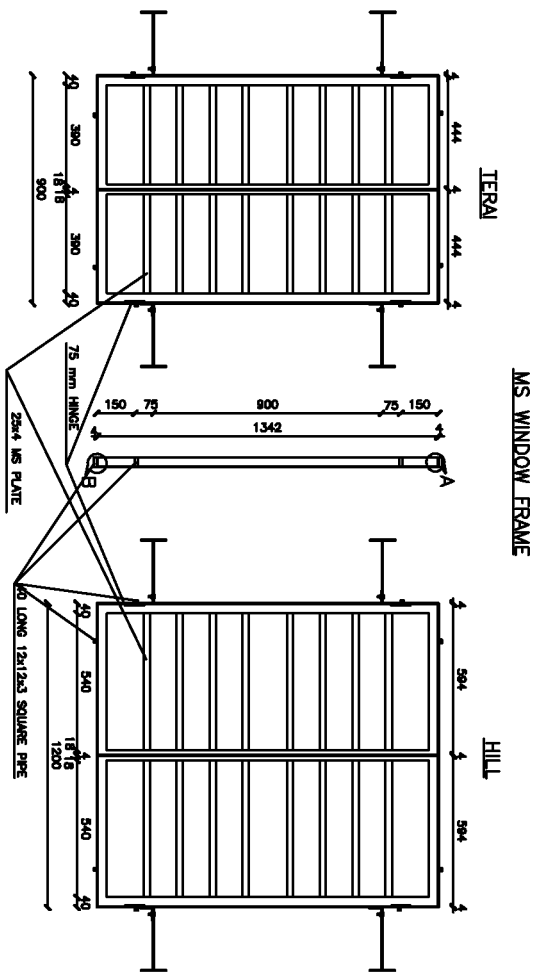
DETAIL AT X



DETAIL AT Y

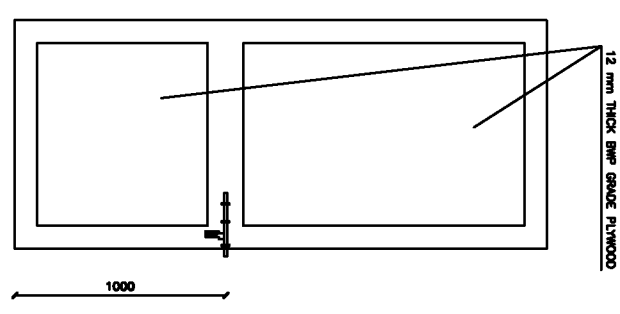
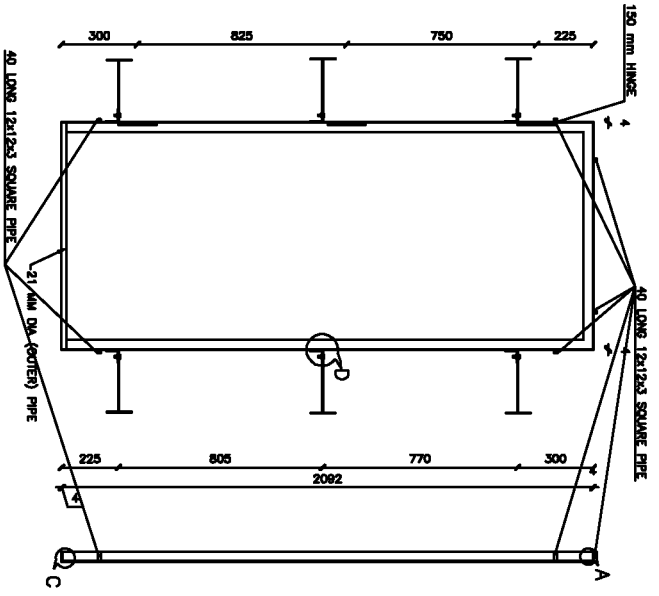
DETAIL AT Z

JOB TITLE		SCHOOL BUILDING RESOURCE CENTRE (TERAI REGION)	
SHEET TITLE		FOUNDATION DETAILS	
SCALE	1:50, 1:20	BASIC AND PRIMARY EDUCATION PROGRAMME (II)	
GOVERNMENT OF NEPAL MINISTRY OF EDUCATION & SPORTS DEPARTMENT OF EDUCATION SANOTHIMI BHAKTAPUR NEPAL.			
TEL NO. 977-1-631075		977-1-633027	
FAX NO. 977-1-630088			
CHECKED BY:			
APPROVED BY:			
DATE	23.10.2000		
Drawing code	T-B-Alt 1		
Sheet no	5		



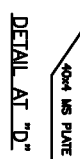
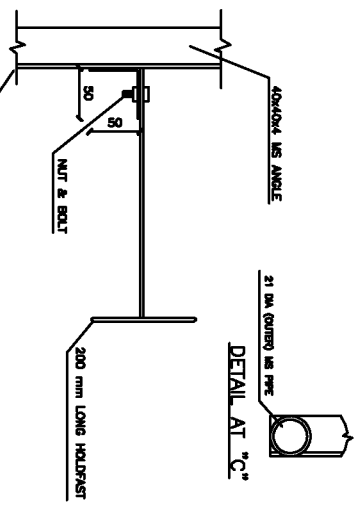
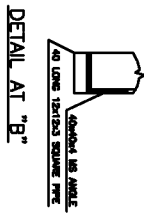
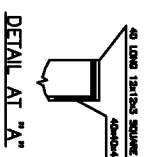
MS WINDOW FRAME  
(HILL & TERAI)

WINDOW SHUTTERS  
(HILL & TERAI)



DOOR SHUTTER (HILL & TERAI)

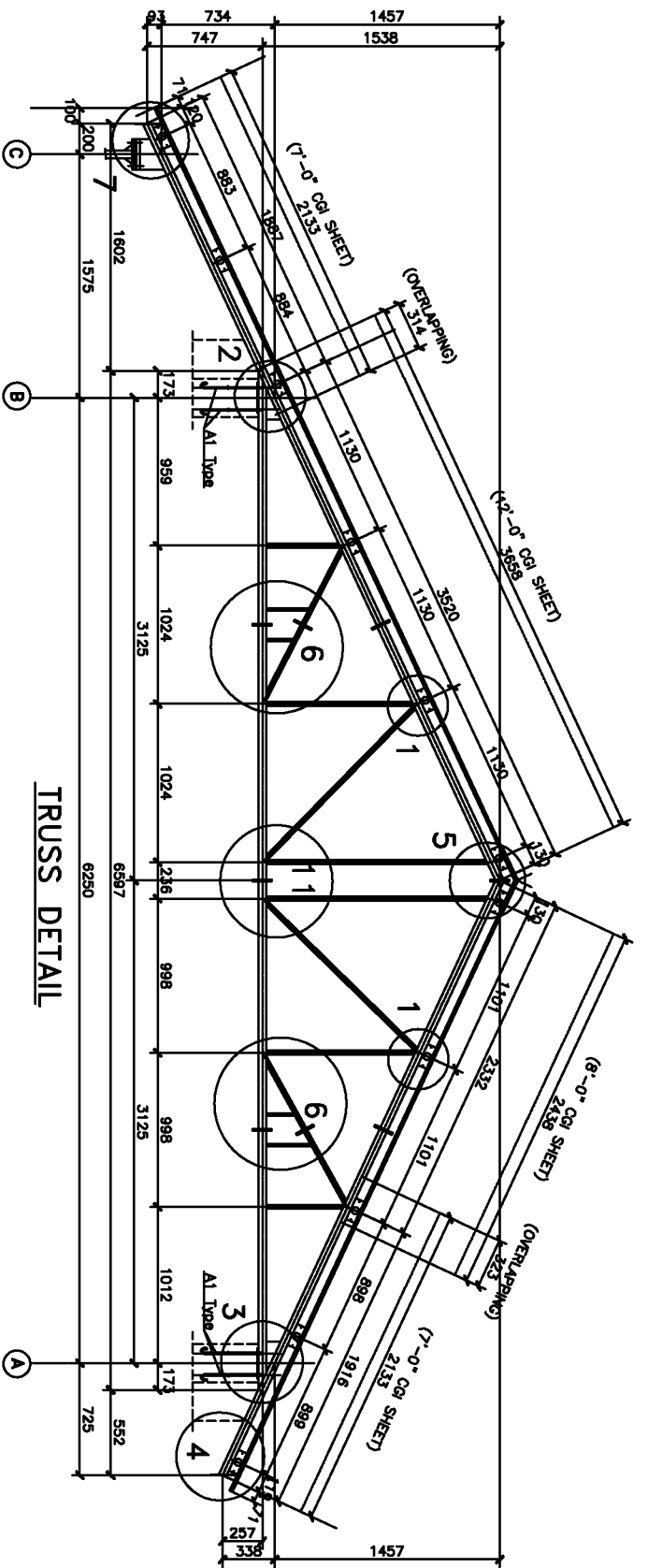
DOOR SHUTTER (HILL & TERAI)



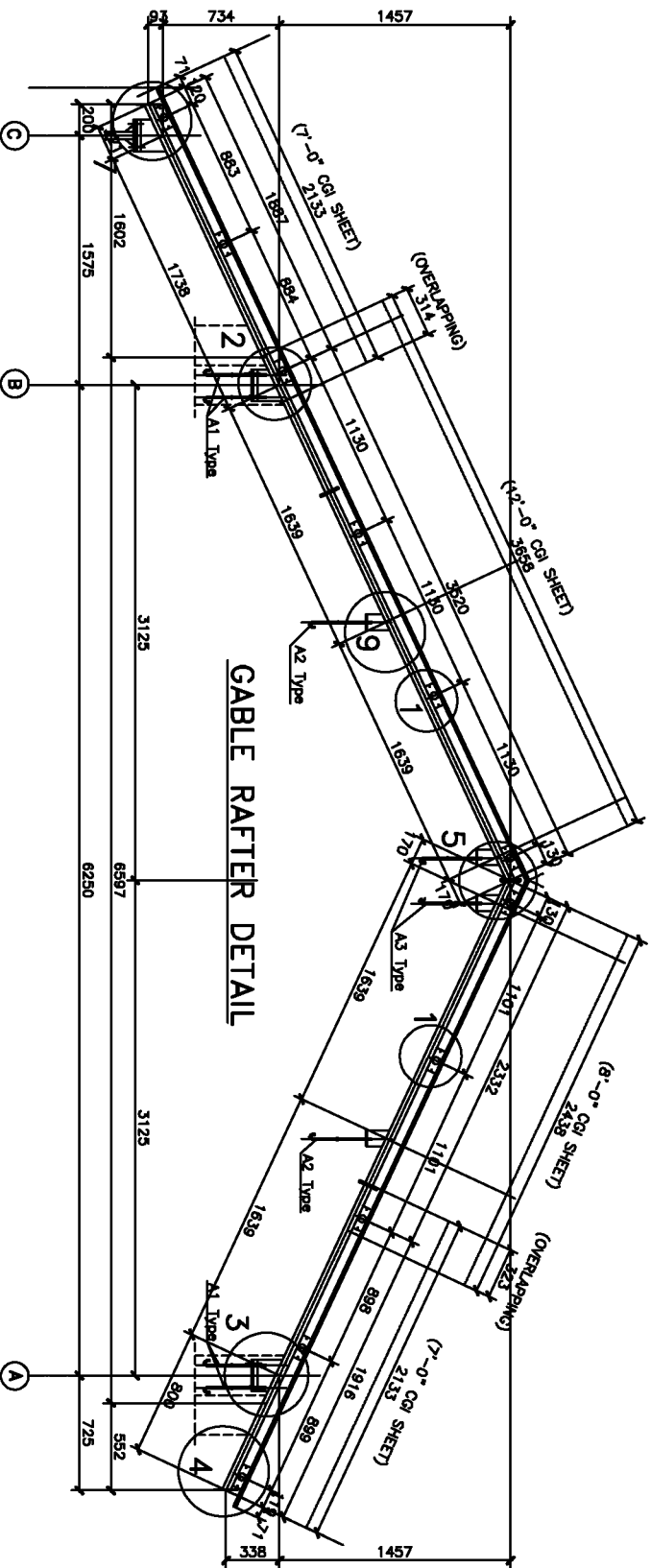
NOTE:  
 1. DOOR & WINDOW SHUTTERS SHOULD FIT EXACTLY IN THE FRAMES FOR WHICH THEY ARE MANUFACTURED.  
 2. THREE NUMBERS OF HINGES OF 150 MM LENGTH ARE WELDED ON WINDOW FRAMES.  
 3. FOUR NUMBERS OF HINGES OF 75 MM LENGTH ARE WELDED ON DOOR FRAMES.  
 4. PROVISION WILL BE MADE ON DOOR FRAME FOR FITTING ONE OF DOOR LOCKING SET ON INSIDE OF DOOR.  
 5. PROVISION WILL BE MADE ON EACH WINDOW FRAME FOR FITTING FOUR NUMBERS OF TOWER.  
 6. ALL FRAMES FOR DOOR AND WINDOW SHUTTERS SHALL BE OF SALWOOD.  
 7. 40 mm LONG 12x12x3 SQUARE PIPE PIECES SHALL BE KEPT 6 PIECES ON EACH DOOR FRAME AND 8 PIECES ON EACH WINDOW FRAME.

JOB TITLE		SCHOOL BUILDING RESOURCE CENTRE (HILL & TERAI)	
SHEET TITLE			
DOOR / WINDOW FRAMES & SHUTTERS			
SCALE	1:20, 1:5		
BASIC AND PRIMARY EDUCATION PROGRAMME (II) GOVERNMENT OF NEPAL MINISTRY OF EDUCATION & SPORTS DEPARTMENT OF EDUCATION SANOFTHIDI BHAKTAPUR NEPAL TEL NO. 977-1-631075 977-1-633027 FAX NO. 977-1-630088			
CHECKED BY:			
APPROVED BY:			
DATE	23.10.2000		
Drawing code	T-B-Alt 1		
Sheet no	6		





TRUSS DETAIL



GABLE RAFTER DETAIL

NOTE:  
 1. FABRICATOR HAS TO SUBMIT THE FABRICATION DRAWING BEFORE FABRICATION AND SHALL BE APPROVED ONLY AFTER VERIFYING WITH THE SAMPLE.  
 2. SIDE OVERLAPPING OF CGI SHEETS SHALL BE 150 mm.  
 3. IN ALL NUT AND BOLT JOINTS, THERE SHOULD BE ONE CHECKNUT.

JOB TITLE

SCHOOL BUILDING  
 RESOURCE CENTRE  
 (TERAI REGION)

SHEET TITLE

DETAILS OF ROOF TRUSS

SCALE 1 : 30

BASIC AND PRIMARY  
 EDUCATION PROGRAMME (II)

GOVERNMENT OF NEPAL  
 MINISTRY OF EDUCATION & SPORTS  
 DEPARTMENT OF EDUCATION  
 SANOTHIMI  
 BHAKTAPUR  
 NEPAL

TEL NO. 977-1-831075  
 977-1-633027  
 FAX NO. 977-1-630088

CHECKED BY

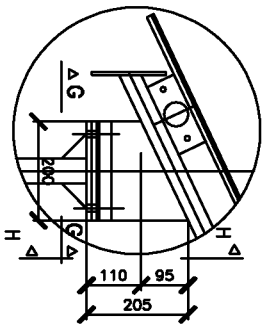
APPROVED BY:

DATE 23.10.2000

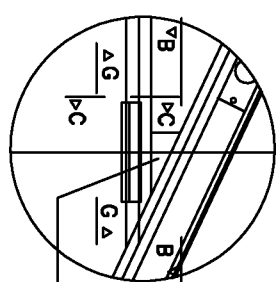
Drawing code T-B-Alt 1

Sheet no 8

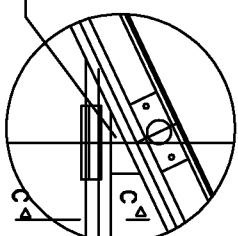
NOTE:  
1. FABRICATOR HAS TO SUBMIT THE FABRICATION DRAWING BEFORE FABRICATION AND SHALL BE APPROVED ONLY AFTER VERIFYING WITH THE SAMPLE.



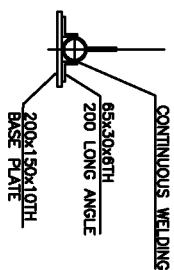
DETAIL - 7



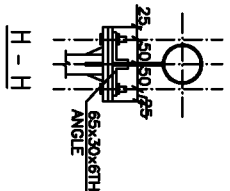
DETAIL - 3



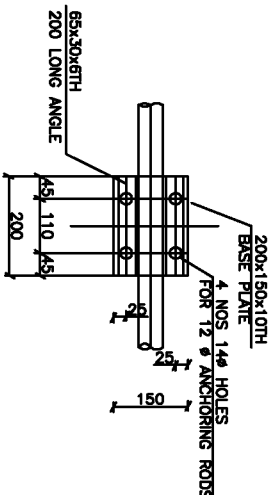
DETAIL - 2



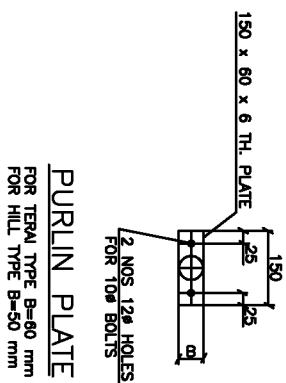
VIEW ON - C.C



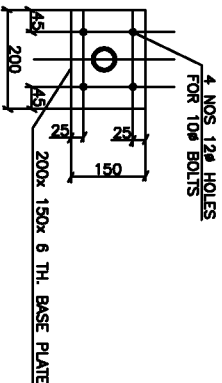
H - H



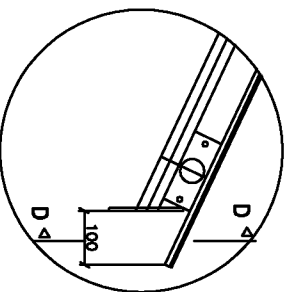
B - B



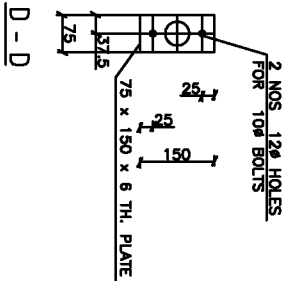
PURLIN PLATE  
FOR TERAI TYPE B=80 mm  
FOR HILL TYPE B=50 mm



G - G



DETAIL - 4

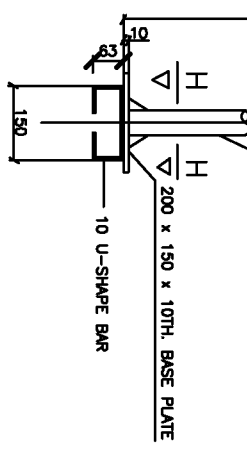
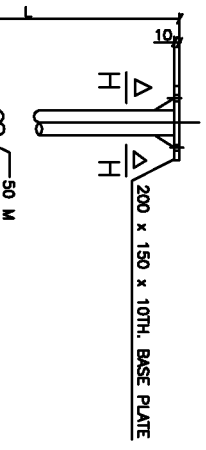


D - D

JOB TITLE		SCHOOL BUILDING RESOURCE CENTRE (TERAI REGION)	
SHEET TITLE		TRUSS DETAILS	
SCALE	1 : 10	BASIC AND PRIMARY EDUCATION PROGRAMME (II)	
GOVERNMENT OF NEPAL MINISTRY OF EDUCATION & SPORTS DEPARTMENT OF EDUCATION SANOTHIMI BHAKTAPUR NEPAL.			
TEL NO. 977-1-631075 977-1-633027 FAX NO. 977-1-630088			
CHECKED BY:			
APPROVED BY:			
DATE	23.10.2000		
Drawing code	T-B-Alt 1		
Sheet no	9		

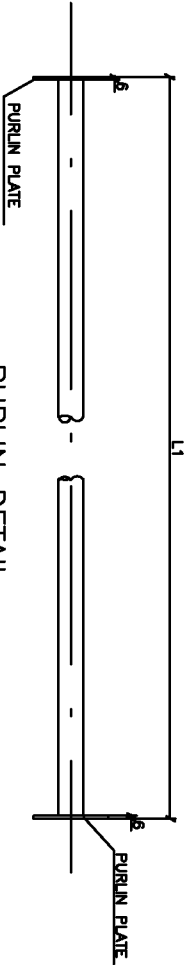


NOTE:  
1. FABRICATOR HAS TO SUBMIT THE FABRICATION DRAWING BEFORE FABRICATION AND SHALL BE APPROVED ONLY AFTER VERIFYING WITH THE SAMPLE.



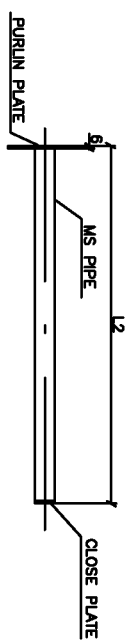
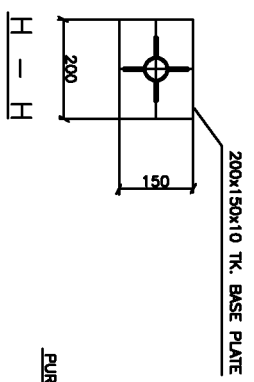
**POST DETAIL**

LENGTH (L1)  
LONG POST: L = 2367 mm TERAI (SCHOOL & RC)  
LONG POST: L = 2220 mm HILL (SCHOOL)  
LONG POST: L = 2585 mm HILL (RC)



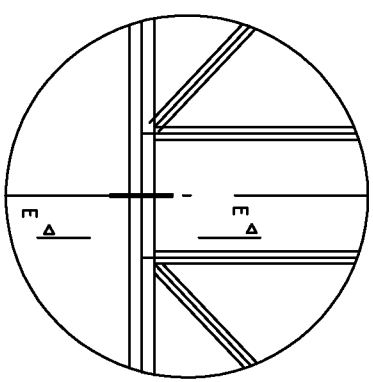
**PURLIN DETAIL**

LENGTH (L1)  
L1 = 3594 mm TERAI (SCHOOL & RC)  
L1 = 2644 mm HILL (SCHOOL)

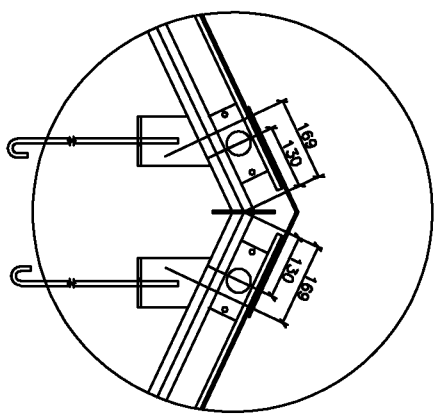


**VERGE PURLIN**

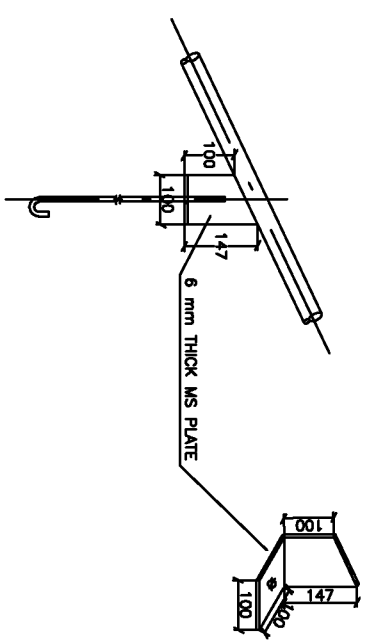
LENGTH (L2)  
L2 = 722 mm 50M PIPE FOR TERAI (SCHOOL & RC)  
L2 = 622 mm 40 L PIPE FOR HILL (SCHOOL & RC)



DETAIL - 11



DETAIL - 10



DETAIL - 9

(DRAWING OF CABLE BRACKET WITH GABLE BAND)

JOB TITLE		SCHOOL BUILDING RESOURCE CENTRE (TERAI & HILLY REGION)
SHEET TITLE		TRUSS DETAILS
SCALE	1:10	
BASIC AND PRIMARY EDUCATION PROGRAMME (II)		
GOVERNMENT OF NEPAL		
MINISTRY OF EDUCATION & SPORTS		
DEPARTMENT OF EDUCATION		
SANOATHI		
BHAKTAPUR		
NEPAL		
TEL NO.	977-1-631075	
	977-1-633027	
FAX NO.	977-1-630088	
CHECKED BY		
APPROVED BY:		
DATE	23.10.2000	
Drawing code	T-B-Alt 1	
Sheet no	11	

**Load Bearing Brick Wall in Cement (BW1), Tubular Steel Truss (ST2) & CGI Sheet Roof, 1 Storey & 2 Room Building.**

**Gorkhapatra code no.- 4**

**Drawing Code: T - B - Alt 1**

<b>S no</b>	<b>Name of Drawing</b>	<b>Sheet no</b>
1	Plan and Elevation	1
2	Back and Side Elevations	2
3	Trench Plan	3
4	Sections	4
5	Foundation Details	5
6	Door/Window Frame and Shutters	6
7	Structural Plan of Truss	7
8	Detail of Roof Truss	8
9	Truss Details	9
10	Truss Details	10
11	Truss Details	11